

For reference only. See data sheet for the detailed specifications.

## Technical Specification



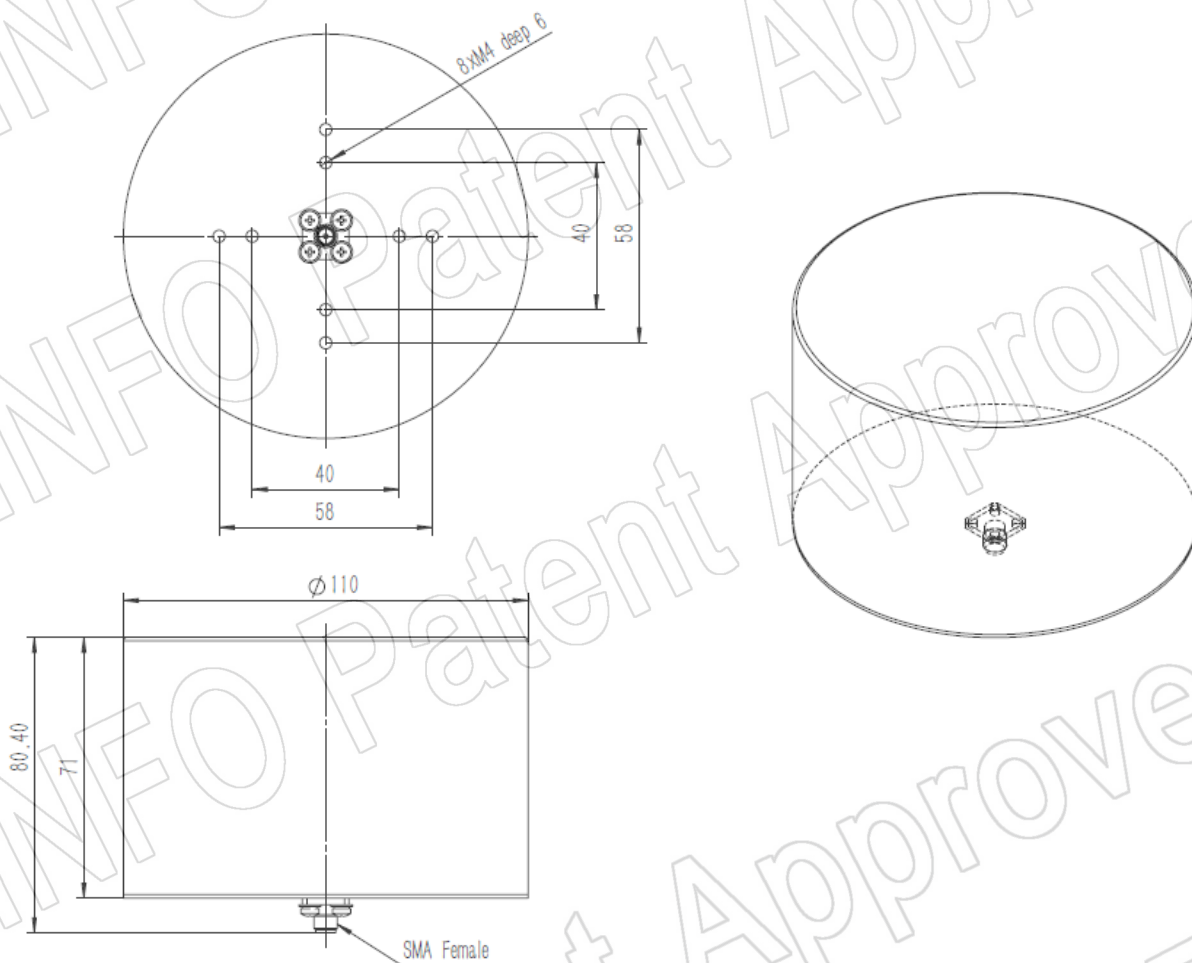
Frequency Range(GHz)	1.0 – 12.0
Gain(dBi)	4.0 Typ.
Polarization	Linear
VSWR	2.0:1 Typ.
Output	SMA-Female
Power Handling(W CW)	80 Max.
Material	Al
Size(mm)	110 x 110 x 71
Net Weight(Kg)	0.50 Around

PATENT ID (China)

ZL202220803839.9, ZL201630458448.8

## Outline Drawing (Size: mm)

SMA-Female Output (P/N: PZ-1001200/P)



AINFO Inc.

China(Beijing):  
China(Chengdu):  
USA :

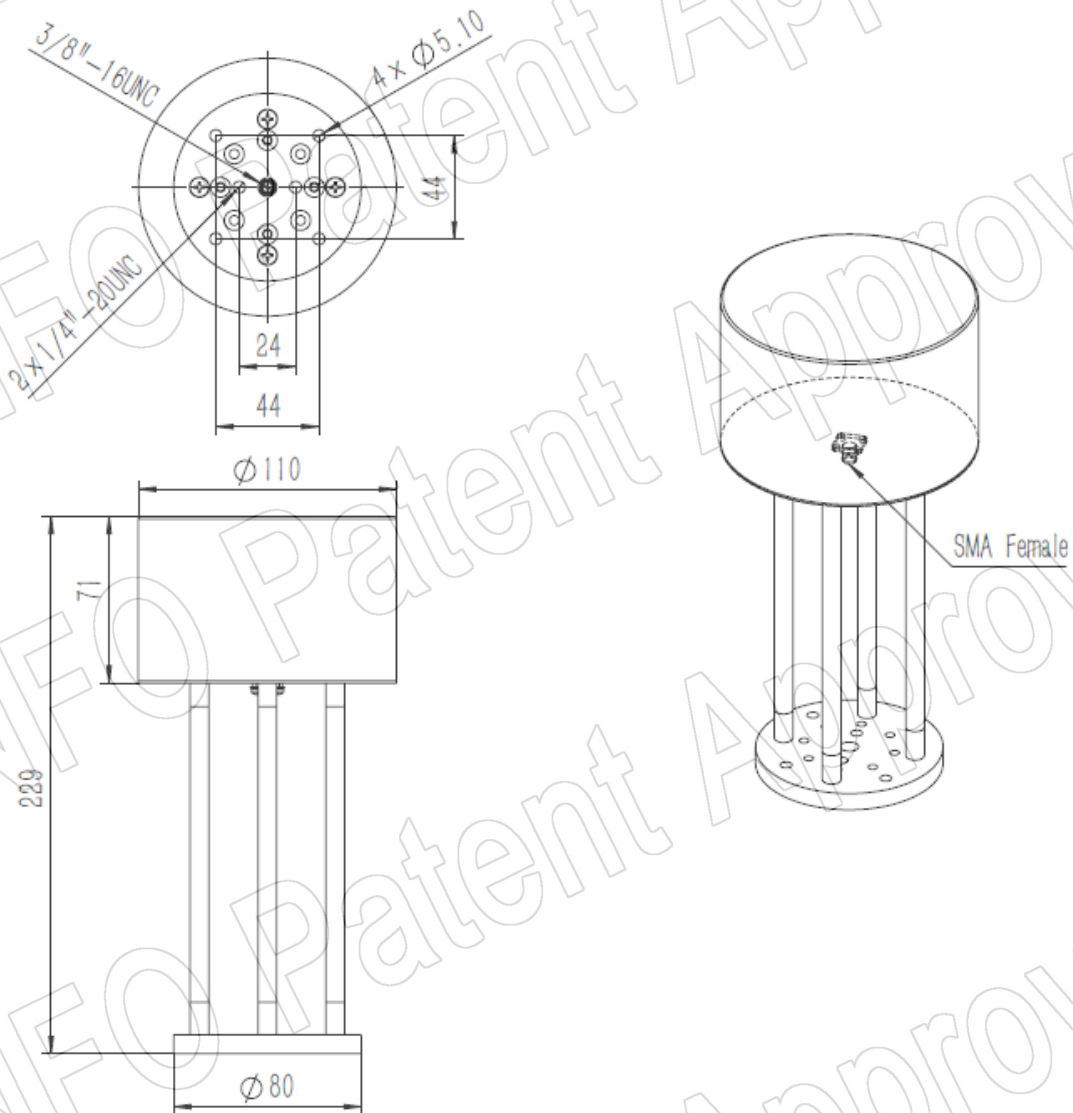
Tel: (+86) 10-6266-7326,  
Tel: (+86) 28-8519-2786,  
Tel: (+1) 949-639-9688,

(+86) 10-6266-7327  
(+86) 28-8519-3044  
(+1) 949-639-9608

Fax: (+86) 10-6266-7379  
Fax: (+86) 28-8519-3068  
Fax: (+1) 949-639-9670

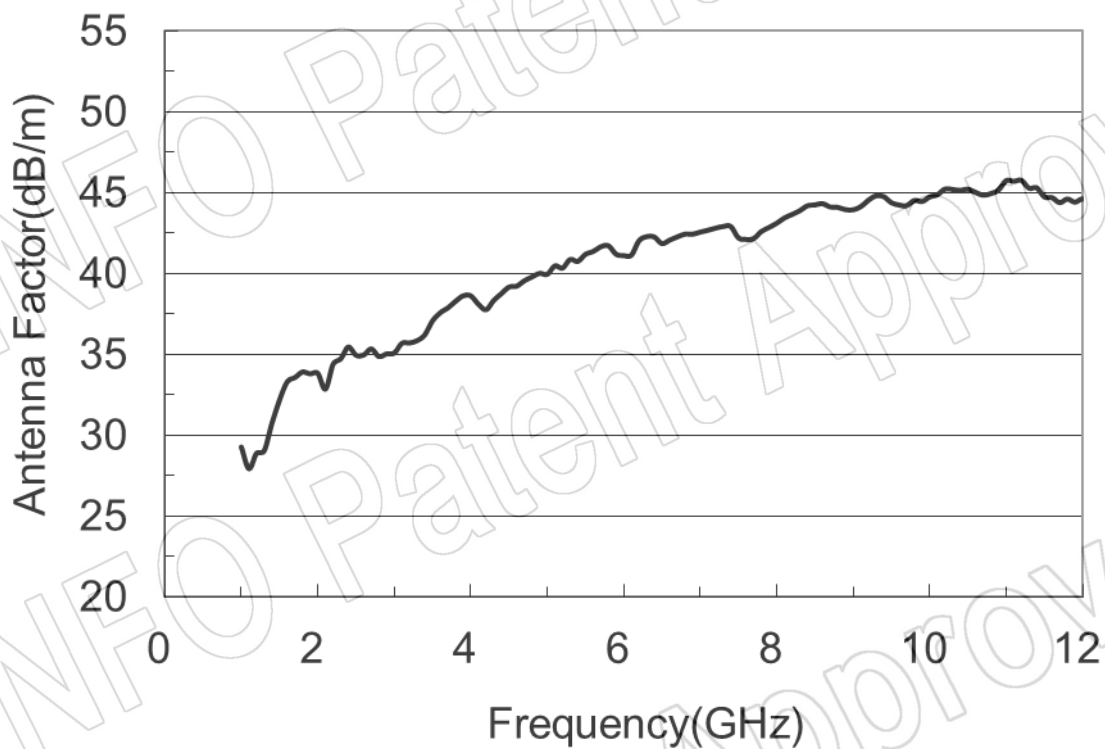
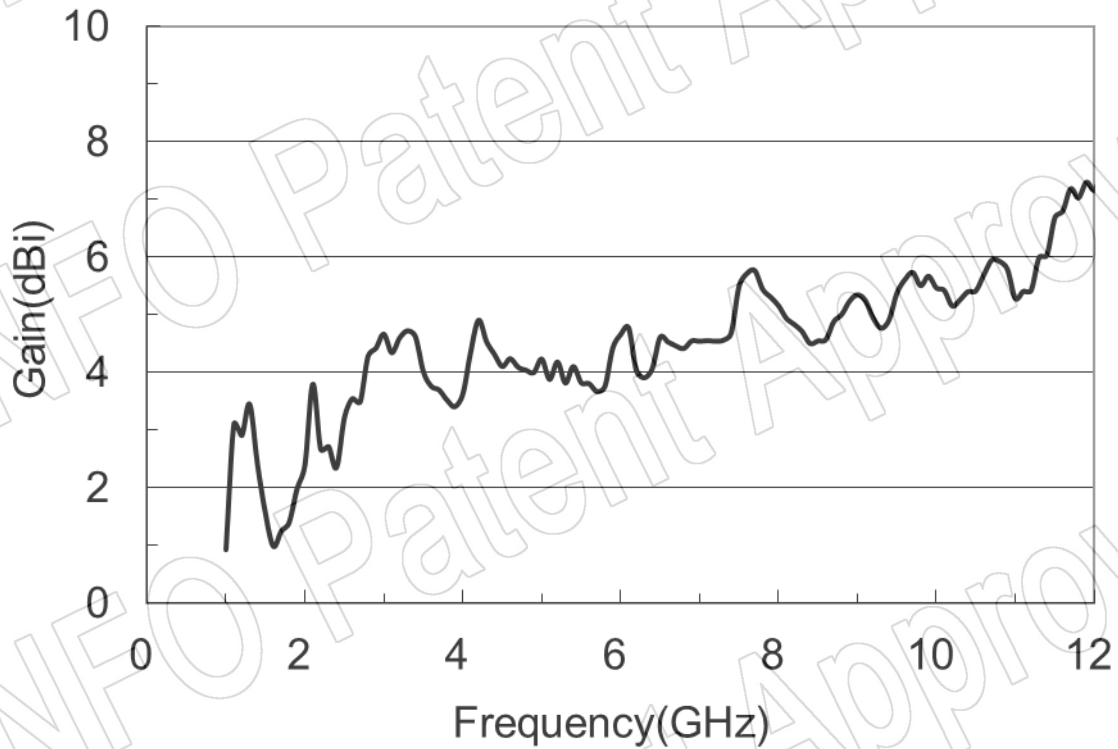
Website: [www.ainfoinc.com](http://www.ainfoinc.com)  
Email: [sales@ainfoinc.com](mailto:sales@ainfoinc.com)

SMA-Female Output with Round Type Mounting Bracket (Option, P/N: SZ-2001800/P-MB2, Tripod Application)



## Test Results

### 1. Gain & Antenna Factor



## 2. VSWR



## 3. Pattern

